

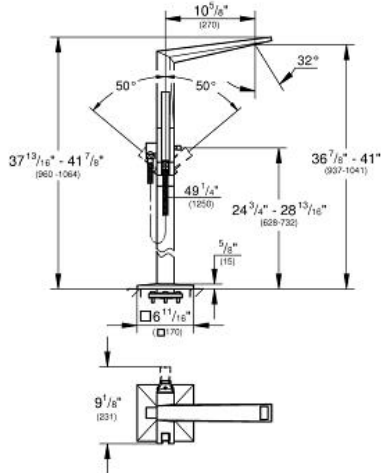
ALLURE BRILLIANT

MODEL # 23119001

Pure Freude an Wasser



GROHE America, Inc | 200 North Gary Avenue, Suite G, Roselle, IL 60172
Phone: +1 (800) 444-7643 | Fax: +1 (800) 225-2778 | us-customerservice@grohe.com



Product Description:

Standard Specification:

- Requires Rough-In Set (29 038 001) (sold separately)
- **GROHE SilkMove** ceramic cartridge
- **GROHE StarLight** chrome finish
- Automatic diverter: bath/shower
- Spout with integrated flow control
- 10 5/8" spout reach
- 1/2" Integrated non-return valve in the shower outlet
- With shower holder
- Protected against backflow

Color:

- 23119001 StarLight Chrome